

Features

0.56" digit height (Digital)
High segment intensity
Range of colours
Multiplexing capability
ROHS Compliant

Options

Black or Grey face colour
Colored segments
Copper terminal pins
Long terminal pins
Low current version



Electro Optical Characteristics $I_F = 20\text{mA}$ ($T_A = 25^\circ\text{C}$)

Part Number		Emitting Colour	Wavelength Peak λ_P (nm)	Forward voltage V_F (V)	
Common Cathode	Common Anode			Typical	Max
056T1B SB	056T1A SB	Superbright Blue	460	2.9	3.2
056T1B UB	056T1A UB	Ultrabright Blue	460	2.9	3.2
056T1B SG	056T1A SG	Superbright Pure Green	530	3.0	3.4
056T1B UG	056T1A UG	Ultrabright Pure Green	530	3.0	3.4
050T1B UYG	056T1A UYG	Superbright Yellow Green	560	2.0	2.2
056T1B UOR	056T1A UOR	Ultrabright Amber	610	1.9	2.2
056T1B UY	056T1A UY	Ultrabright Yellow	590	1.9	2.1
056T1B SR	056T1A SR	Superbright Red	650	1.9	2.1
056T1B UR	056T1A UR	Ultrabright Red	660	1.9	2.1

Absolute Maximum Ratings $T_a=25^\circ\text{C}$

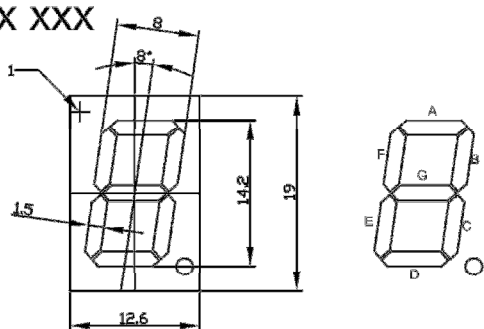
Characteristic	Symbol	Rating	Unit
DC forward current	I_F	20	mA
Reverse Voltage	V_R	5	V
Operating Temperature	T_{opr}	-25 to +80	$^\circ\text{C}$
Storage Temperature	T_{stg}	-30 to +85	$^\circ\text{C}$
Lead Soldering Temperature ¹	-	260	$^\circ\text{C}$

¹ 1.6mm from body – max 3 seconds

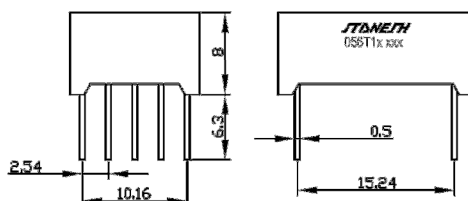
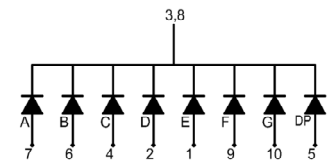
Product Diagram (All dimensions are in mm)

056T1x xxx

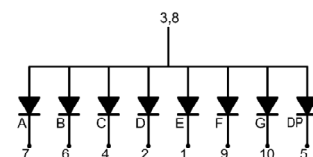
0.56" digital



056T1B xxx
Common
cathode



056T1A xxx
Common
anode



*Specifications may change due to new materials or product improvement